

Worksman Mover Industrial Tricycles Assembly Instructions and Parts List

Worksman Cycles – PO Box 170732 - Ozone Park, NY 11417 - (888) 3-WHEELER or (718) 322-2000

www.worksman.com

Parts list M2626-1221

Models M2626, M2626-NDB, M2626-CB, M2626-3CB

M2626 = Drum Brake Only M2626-NDB = Coaster Brake Only M2626-CB = Drum & Coaster Brake M2626-3CB = Drum & 3 Speed Coaster



The Worksman Mover - The World's Toughest Industrial Tricycle

Congratulations on the purchase of your Worksman Mover Industrial Tricycle. The Mover is considered the flagship of the Worksman Business Cycle System, which is undoubtedly the finest line of industrial cycles. These durable tricycles are used around the world by leading companies to move personnel and supplies efficiently and safely in an environmentally friendly manner.

Before assembly and riding, make certain to read this manual and any other literature provided thoroughly. Always follow the rules of safe riding. Always keep your Mover Tricycle in tip-top shape by replacing worn parts as needed with genuine Worksman Cycles parts. (Do not use generic bicycle parts.) With simple maintenance, your Worksman Mover Tricycle will perform reliably day after day, year after year.

- *This manual is intended as an assembly and maintenance guideline for a professional and qualified bicycle mechanic. Failure to have this cycle professionally assembled could result in injury or death.*

Worksman Mover M2626 Parts List

Note: In 2013, Worksman began using black "ED" (electrodeposition) electro-coated parts as standard equipment to help prevent rust and increase parts lifespan. They are more durable than chrome parts.



Frame, Fork and Related Parts (Fork includes Bottom Cone # 51.)

<u>Part #</u>	<u>Description</u>	<u>Part #</u>	<u>Description</u>
MF2626A	Mover Frame (Specify color)	3927M	Rear Platform
60HD	Fork w/ Drum Brake Tab - Black	60HD-SP	Fork w/ Drum Brake Tab - Special color
48	Head Set Cups (pair)	49	Headset Bearings (pair)
50A	Headset Complete (48, 49, 52, 53, 54)	51	Bottom Cone (presses on fork)
52	Top Adjusting Cone (threaded)	53	Key Washer
54	Fork Top Lock nut	55F	Handlebar: Junior High-Rise (Chrome)
55A-BLK	Stem for Handlebar	55F-BLK	Handlebar: Junior High-Rise (Black)
55B	Handgrips (pair)		

Front Drum Brake Parts - Note that different styles of hubs have been used over the years. See hub descriptions.)

<u>Part #</u>	<u>Description</u>	<u>Part #</u>	<u>Description</u>
L752L	Brake Lever (Left) w/ Parking Lock	L752R	Brake Lever (Right) w/ Parking Lock
160B	Fork Retention Clip (each)	L816	Axle Washer
60STR	Brake Arm Strap w/ Rubber Boot		
<u>SILVER - LOOSE BALL BEARING "L900" STYLE</u> (11 loose ball bearings on each side of hub. Generally older than 2007.)			
L709	Axle (threaded end to end, w/ hardware)	L725-1	Drum Brake Plate Kit (Internal parts kit)*
F817M	Wheel Ball Bearings (50 loose balls)		
<u>SILVER - PRESSED BEARING STYLE</u> (Pressed bearing hub, generally 2007 and up.)			
L500-F	Hub (Complete w/ pressed bearing)	L509	Axle (smooth center, w/ hardware)
L517	Pressed Bearing	L725-1	Drum Brake Plate Kit (Internal parts kit)*
L815	Outside Axle Nut (each)	F719	Drum Brake Cable w/ F769 and F770
F769	Anchor Bolt Assembly for F719 Cable	F770	Adjusting Barrel for F719 Cable

BLACK "WORKSMAN" HUB (This Worksman-labeled hub is used occasionally, based on silver hub availability, generally from 2017 and up.)

G250-11	Hub (Complete w/ pressed bearing, 11G holes)	G250-A	Axle
G250-B	Bearing Pair (Retainer)	G219	Brake Cable w/ Mounting Hardware
G250-P	Drum Brake Plate Kit*		

STURMEY-ARCHER HUBS (Generally from 2020 and up. Two versions are available, with and without a power generator.)

SA90F	Hub (Non-Generator)	SA90F-G	Hub (w/ Generator)
SA90F-A	Axle (Non-Generator)	SA90F-AG	Axle (for Generator)
SA90F-B	Bearings (Pair)	SA90F-C	Brake Cable w/ Mounting Hardware
SA90F-P	Drum Brake Plate Kit*		

* All Drum Brake Plate Kits include the plate, cam, and mounted brake pads.

Rear Axle and Related Parts (3 Speed hubs include shifter and cable.)

Part #	Description	Part #	Description
102	Key Washer	103	Cups for Free Side Hub
105	Adjusting Cone (threaded)	106	Stationary Cone (presses onto axle)
109	Dust Washer	113	Locknut - Left Hand Thread- Free Side)
146	Bearings (pair)	64M	Woodruff Key
59M	Locknut-Drive Side	132	Axle Parts Set (102,105,109,113,146,64M,59M)
M13966	Rear Axle	69	Fixed Drive Sprocket (CB, 3CB, NDB)
4129	Freewheel Sprocket – 22 tooth (M2626) →→→	63AD	Bushing for 4129 (M2626)
62C	Keyway (Fits in axle slot to attach 69 sprocket.)	63B	Set screw for 69 and 4129
M13975	Side Bearing with Plate (each)	M13974	Center Axle Support Bearing
301M	Coaster Brake w/Dual Sprockets	404NM	3 Spd Coaster Brake w/ Dual Sprockets
SS721	Coaster Brake Internal Kit (for 301M)	SS12N-1	3 Speed Cable and Shifter for 404NM
SS11N-178	Push Rod: SHIMANO NEXUS hub (86.85mm)	SS5R	Non-Turn Shimano Washer (Yellow)
M13966K	NEW AXLE KIT! Includes M13966 Axle, 69 Sprocket, 132 Parts Kit, (1) M13974 & (2) M13975		

Crank and Crank Parts (Pedal Section) and Chains

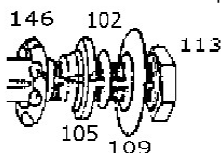
Part #	Description	Part #	Description
1265	Crank Parts (1266/1268/1269/1271/1272/1273/1274)	1265BMXS	Deluxe Sealed Crank Set (Upgrade)
1266	Crank Bearings (pair)	1268	Cups for Crank Housing (pair)
1267D	Complete Crank Set (36T blk sprocket, crank, 1265)	1269	Stationary Washer (inside)
1267F	Complete Crank Set (32T blk sprocket, crank, 1265)	1267H	Complete Crank Set (28T blk sprkt, crank, 1265)
1271	Key Washer (outside)	1272	Adjusting Cone (threaded, outside)
1273	Stationary Cone (inside)	1274	Crank Locknut
1275-EDB	Crank (one piece, forged, 6½", black)	1275-EDB	Crank (one piece, forged, 6½", black)
1380D	Sprocket 36 Tooth (3/16", Chrome)	1380D-EDB	Sprocket 36 Tooth (3/16", Black)
1380F	Sprocket 32 Tooth (3/16", Chrome)	1380F-EDB	Sprocket 32 Tooth (3/16", Black)
1380H	Sprocket 28 Tooth (3/16", Chrome)	1380H-EDB	Sprocket 28 Tooth (3/16", Black)
4910P-BLK	Chainguard (Black resin - standard)	4910M	Chainguard (Chrome - optional)
4915B	Chain Adjuster (1 spd coaster brake)	4915E	Chain Adjuster (3 spd coaster brake)
7217	Pedal Set (Pair)	7217-41557	Pedal Set - Alloy Platform (Optional)
7217-EXT	Pedal Extenders (mounts pedals wider)	4914A	Chain Connecting Link (1/2x3/16")
4914S	Long Chain (36T, CB/3CB: ½"x3/16"x148 links)	4914S28	Long Chain (28T, CB/3CB: ½"x3/16"x142 links)
4914S32	Long Chain (32T, CB/3CB: ½"x3/16"x145 links)	4914XX	Chain- Short (CB/3CB: 1/2"x3/16"x38 links)
4914SA	Long Chain ½"x3/16"x133 links (Freewheel)		

Note: The Mover comes standard with a 36T front sprocket and 1265 crank part set. Smaller sprockets in the front will reduce gear ratio, which makes it easier to start pedaling. The 1265BMXS is a sealed, heavier duty upgrade for crank parts.

Seats, Seatpost and Fenders, Baskets and Cabinets (2005 and up models do not require "-5" saddles.)

Part #	Description	Part #	Description
6910V-5	Saddle (Padded w/ 5/8" shim, pre-2005)	6911V-5	Saddle (Padded w/ 5/8" shim, springs)
6910V	Saddle (Padded w/ 7/8" clamp, 2005 and up)	6911V	Saddle (Padded w/ 7/8" clamp, springs)
4908M	Seatpost (Solid 5/8" Steel, pre-2005) →→→	4909M	Square Head Bolt (for 4908M Seatpost)
4908D	Seatpost (1" tubular, 2005 and up) →→→	4911D	Seatpost Binder Clamp (2005 and up)
4908D-S	Seatpost (1" SOLID, 2005 and up)	4908D-SUSP	Seatpost w/ Suspension Spring System
M13970	Basket for Rear Platform (23"x23"x12")	M13E5	5" Platform Lip
M17350	Cabinet (23"x22"x11.5")	M17350J	Jumbo Cabinet (23"x22"x18")
7228	Front Wire Basket (21x15x9" w/ bracket)	139	Front Wire Basket (18x13x6" w/bracket)
82	Front Fender (Chrome) →→→	82-C	Front Fender w/ all parts attached (Chr)
82P-BLK	Front Fender (Black Polycarbonate) →→→	82P-BLK-C	Front fender w/ all parts attached (Blk)
83A	Front Fender U-Brace	95	Front "L" Bracket (fender to fork)
82K	Front Fender Hardware Kit (95, 4907, 4907A)	4905	Bolt set to attach (4902 to M13996)
4907	Bolts, Nut, Washer (U-brace to fender)	4907A	Bolt, Nut, Washer ("L" bracket to fork)
4902P-BLK	Rear Fender (26", Black Resin)	4902	Rear Fender (26", Chrome)
MSF26	Complete Rear Fender Kit w/ braces (Resin)	M13996	Rear Fender Brace (each, L or R)
MSF26-CP	Complete Rear Fender Kit w/ braces (Chrome)		

Free (Left) Side Rear Wheel Parts – Exploded View



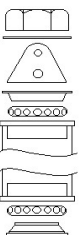
64M Woodruff Key



6911V Seat w/ Springs



50A Headset



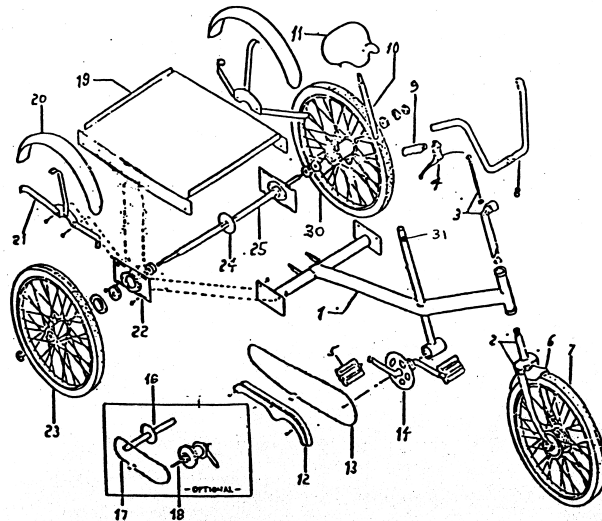
Wheels and Tires (All wheels and wheel parts shown below are for 26" wheels ONLY.)

"KVPR"= KEVLAR TIRES AND PUNCTURE RESISTANT TUBES INSTALLED! REDUCE FLATS WHILE MAINTAINING AIR RIDE!

Part #	Description	Part #	Description
77A	Front Wheel w/ Drum Brake	77	Front Wheel w/ Drum w/Air Tire
77S	Front Wheel w/ Drum w/Solid Tire	77KVPR	Front Wheel w/ Drum w/ KV Tire
78SA	Free Side Wheel (left)	M14031	Drive Side Wheel (right)
1007	Free Side Wheel (left) with Air Tire	M14032	Drive Side Wheel (right) w/ Air Tire
78S	Free Side Wheel (left) with Solid Tire	M14032S	Drive Side Wheel (right) w/Solid Tire
1007KVPR	Free Side Wheel (left) with Kevlar Tire	M14032KVPR	Drive Side Wheel (right) w/ Kevlar Tire
77CAR	26" Alloy Front Wheel w/ Stainless Steel Spokes and Drum Brake (No tire or tube.)		
1007CAR	26" Alloy Rear Free Side Wheel w/ Stainless Steel Spokes (No tire or tube.)		
M14031CAR	26" Alloy Rear Drive Side Wheel w/ Stainless Steel Spokes (No tire or tube.)		
9178SA	Free Side Mag Welded Wheel	9179MSA	Drive Side Mag Welded
9178	Free Side Mag Welded Wheel w/ Air tire	9179M	Drive Side Mag Welded w/ Air tire
9178S	Free Side Mag Welded Wheel w/ Solid tire	9179MS	Drive Side Mag Welded w/ Solid tire
9178KVPR	Free Side Mag Welded Wheel w/ Kevlar tire	9179MKVPR	Drive Side Mag Welded w/ Kevlar tire
4922A	Tire - 26"x2.125" WTC Sup-r-Tire (standard)	4923A	Tube - 26"x2.125" (standard)
4922AKV	Tire - 26"x2.125" WTC KEVLAR Sup-r-Tire	6023A	Tube - 26"x2.125" Puncture Resistant
4922AWSW	Tire - 26"x2.125" Sup-r-Tire (White Wall)	4939A	Solid Rubber Nev-R-Fail Tire - 26"
1017	Rim Strip		
101	Hub for Free Wheel w/ Cups	3980M	Hub for Drive Side Wheel
1016	Rim Only (Chrome) – NOT A WHEEL	1016A	Rim Only (Alloy) – NOT A WHEEL
1014A	Spoke (Rear & Front w/o Drum, 11G, 10 9/16")	1014B	Spoke (Front Drum Wheel, 11G, 9 9/16")

Key Component Exploded View of M2626 Series

Key #	Part #	Description
1	MF2626A	Frame
2	60HD	Fork (Black)
3	55A-BLK	Stem for Handlebar
4	L752L / L752R	Brake Hand Lever
5	7217	Pedal Set
6	82P-BLK-C	Front Fender w/ Front Brace
7	77A (w/o tire)	Front Wheel w/ Drum Brake
8	55F / 55F-BLK	Handlebar
9	55B	Hand Grips (pair)
10	4908M or D	Seatpost - See seat section.
11	6910V / 6911V	Seat - See seat section for part #'s.
12	4910P-BLK	Chainguard (Black Resin)
13	4914	Chain (M2626 / M2626-CB)-SEE ABOVE
14	1267D	Sprocket & 1265 Crank Set w/ 36T
16	69	Fixed-Drive Sprocket (for CB models)
17	4914XX	Short Chain for CB Models
18	301M or 404NM	One or Three-Speed Coaster Brake Hub
19	3927M	Rear Platform
20	4902P-BLK	Side Fender (Resin)
22	M13975	Side Axle Bearing w/ Plate
24	4129+63AD	Freewheel Sprocket + Bushing (Non-CB)
30	78SA (w/o tire)	Wheel: Free Side (Left)



21	M13996	Brace for Side Fender
23	M14031 (w/o tire)	Wheel: Drive Side (Right)
25	M13966	Rear Axle
31	4909M	Bolt- Square Head for Seatpost (Pre-2005)

Safety Items, Upgrades and Accessories

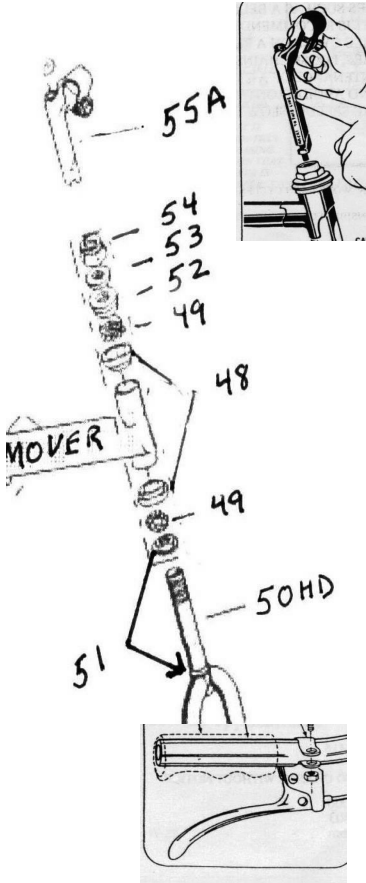
Part #	Description	Part #	Description
3979	Ding Dong Chime Bell	303	Squeeze Bulb Horn (chrome w/ rubber)
3973	Mega-Horn (battery operated)	201	Cable and Lock set (with keyed padlock)
4963	Rear View Mirror (Chrome, rectangular)	5030T	Reflector Kit
3978	Safety Flag on Pole	P19-A	Bicycle Helmet
101710	Flashing Strobe Light (Clear/Front)	101714	Flashing Strobe Light (Red/Rear)
7217-41197	Pedals with Velcro Foot Straps (pair)	3975	Generator Light Set
1006	Air Foot Pump	1000-01	Spoke Wrench
202	Mini-Frame Pump w/ Attachment Strap	2000-01	Chain Rivet Remover Tool
1265TW	Crank Cone Wrench	95021	Water Bottle w/ Cage, Attachment Strap
1001	Pedal Wrench	7917T-1	Backrest w/ Mounting Arm
6001A	Patch Kit (5)	3976	Battery Operated Headlight
7217GS12	"Glowspeck" Flashing Pedals	ENG-BKIT-26WTC	Electric Motor Kit w/ Lithium Battery

ASSEMBLY INSTRUCTIONS FOR THE WORKSMAN MOVER™ INDUSTRIAL TRICYCLE:

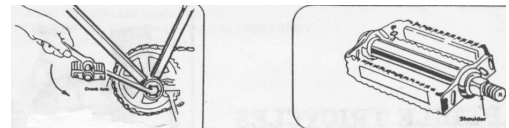
Your Worksmen Mover™ Industrial Tricycle has been hand made by American Craftspeople at our Ozone Park, New York City factory. We take great pride in each and every Worksmen Business Cycle that we manufacture and appreciate your support. Please read this manual carefully prior to performing the simple finishing assembly and prior to riding. Keep these instructions as our parts list is contained within this document which you will need for future reference.

Carefully remove the tricycle from the carton. You will notice the tricycle is mostly pre-assembled at the factory. Some finishing assembly is required. The front wheel and the fork assembly is pre-assembled at the factory. **PROFESSIONAL ASSEMBLY IS HIGHLY RECOMMENDED!**

TO ATTACH FRONT FORK/WHEEL ASSEMBLY TO THE FRAME:



- 1) Grease cups (48) with Rustolene 200 lubricant or equal. Bearings (49) are pre-greased at the factory, but it is always a good idea to add lubrication prior to assembly.
- 2) Place one bearing (#49) onto the fork steering tube with the balls facing up.
- 3) Slide the threaded fork (50HD) steering tube into the frame head.
- 4) Place the other bearing on the top of the fork tube with the balls facing down towards the cup (#48), which is already pressed onto the frame.
- 5) Install the top adjusting cone (#52) onto the treaded fork steering tube. Hand-tighten, making certain the bearings do not bind. After hand tightening, turn back ¼ turn.
- 6) Install the fork key washer (#53) on top of the adjusting cone with tip of washer in slot on steering tube.
- 7) Install head lock nut (#54) and securely tighten. Make sure that the fork rotates freely without being loose. Excess play or resistance must be adjusted. Failure to adjust properly can lead to improper steering response.
- 8) Install handlebar stem (55A) into the fork steering tube with the handlebar clamp facing forward. The stem must be inserted far enough to reach the minimum insertion line. Tighten the stem bolt slightly at this point. Loosen the handlebar clamp nut and slide the handlebar through the clamp centering the knurled center section of the handlebar into the clamp. Position the handlebar to the desired angle and tighten clamp securely. Recommended torque is 300 IN. LBS. Adjust the handlebar rotation so that it is perpendicular to the front wheel when it is perfectly straight. Tighten stem bolt securely. Recommended torque 240 IN. LBS. Be sure not to over tighten as damage to the parts may occur causing steering failure.
- 9) Attach brake hand lever to the handlebar (either left or right depending upon the rider's preference) Make sure brake cable is not tangled in anyway.



INSTALLING PEDALS:

Pedals are marked on the shaft with either an "L" or "R" denoting left or right. The "R" pedal fits on the right (sprocket side) of the crank arm. Tighten clockwise. The "L" pedal fits on the left side of the crank arm. Tighten counter-clockwise (left-hand thread). Securely tighten. Recommended torque 275 IN. LBS. **CAUTION: Tightening in the wrong direction will damage the crank and pedal threads, and will not be covered under warranty.**

SEAT ADJUSTMENTS:

Although the seat is already installed at the factory, adjust the height to your desired level by loosening the seat clamp bolt at the top of the frame's seat tube. Re-tighten at desired height. Make sure a minimum of 3 1/2" of the post remains in the frame tube. Never adjust post above this level. Adjust angle of seat with nose raised slightly. Tighten seat clamp securely. (240 IN. LBS.)

REAR FENDERS:

Attach fender braces to fender, and fender braces to mounting bracket on frame using the provided nuts, bolts, and washers. Bend braces slightly if tire is rubbing the brace.

MAINTENANCE TIPS:

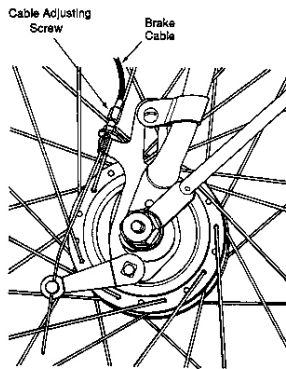
Always inspect your Workman Cycle to ensure that all nuts, bolts, screws and hardware are tight and that no parts are worn or damaged. Do not attempt to straighten bent forks or frames.

Chain:

Lubricate chain once a month or as needed with light oil. Replace sprockets when teeth become worn, bent or broken. Keep chain adjusted so there is no more than 3/8" slack. Note that we make the chains tight at the factory, as we do know they will stretch during the break-in period.



Lubricate crank parts every six months. Replace pedals when the surface is worn or if axle becomes "tight" or frozen.



Drum Brake:

Your Workman Mover Tricycle may be equipped with an automotive type front drum brake. This brake is ideal for slowing your vehicle smoothly and reliably. It is engaged by squeezing the hand lever on the handlebar. To use "Park" feature, when cycle is completely stopped, squeeze hand lever and push in parking plunger button on lever. To disengage, simply squeeze lever until parking plunger button releases.

Drum brakes are pre-adjusted at the factory. Readjust the cable tension as necessary using the adjusting barrel so that wheel spins freely and stops when brake is applied. Always replace worn brake cables (F719) and damaged hand levers. Internal parts kits are available for your drum brake. (See parts list for part #'s.)

Coaster Brake (if applicable):

Foot activated coaster brakes are easy to use and reliable. To activate this internal brake, reverse the pedaling motion until the brake engages. To avoid skidding and maintain control, apply care when braking. This is especially true on wet surfaces. Apply brakes gently, gradually increasing pressure. Replace coaster brakes when they become worn. Check chain tension regularly. Coaster brake hubs may make a vibrating noise under braking until they are broken in. For three speed units, pause pedaling to help mesh gears. (Let the cycle coast.) This will make shifts smoother and will reduce wear and tear on the hub. Do not shift when pedals are not moving as damage could occur.

Tires:

Always check for worn or damaged tires. We recommend 40PSI as proper level of inflation. Replace tires that are worn or cut immediately. Replace or repair tubes that show leaks.

LIMITED WARRANTY:

This cycle is warranted against faulty parts under the following conditions: this warranty does not cover any failure due to accident, abuse, misuse, neglect or as the result of normal wear and tear, or improper assembly. The entire frame, including all welded joints, is warranted to be free from defects and material for one year while in possession of the original purchaser. All other parts on this cycle, except tires and tubes, are warranted for Ninety days from the date of purchase. Repair and replacement of these parts is to be according the Workman cycles parts and service procedures and must be handled directly through the source where the cycle was purchased. If upon examination of the parts in question, the Workman Cycle dealer determines that it is defective, either repair or replacement will be made at no cost except the cost of transportation and labor charges (if any). Unauthorized repairs or replacement automatically voids warranty. Proper maintenance is required for warranty to be valid. In the event that it was determined that the warranty claim is the result of misuse, abuse, improper maintenance or simply not defective or beyond the warranty period, Workman Cycles or the dealer will advise you as to the cost of repair, replacement or labor prior to performing any work or replacing any parts. If you choose not to have the dealer or Workman Cycles perform the work, the parts will be returned to you at your expense or discarded if no reply is received within 2 weeks of notification. The sole responsibility of the manufacturer to the terms of this warranty, if any, shall be the repair and/or replacement of the parts as indicated above. The liability of the manufacturer shall in no event exceed the original purchase price of the product, and the manufacturer shall not be responsible for any consequential damages of any nature, including, but not by way of limitation, damages for personal injury or property. This statement constitutes the exclusive expression of warranties by the manufacturer and is in lieu of any or all other warranties such as expressed warranties, implied warranties, including but not limited to warranties of merchantability, and fitness or purpose, are limited in duration for one year from the date of purchase of the frame only and 90 days for all other parts, except tires and tubes which are not warranted. Workman Trading Corporation is the manufacturer. Misuse of the cycles including off road riding, installation of motors or power assists, alterations, repairs using parts other than genuine Workman Cycle parts voids warranty. Workman Trading Corporation is not responsible for maintaining records of serial numbers. Void where prohibited by state law.

Maintenance Log

DATE MAINTAINED

MAINTENANCE PERFORMED

<hr/>	<hr/>
<hr/>	<hr/>
<hr/>	<hr/>
<hr/>	<hr/>
<hr/>	<hr/>
<hr/>	<hr/>
<hr/>	<hr/>
<hr/>	<hr/>
<hr/>	<hr/>
<hr/>	<hr/>
<hr/>	<hr/>
<hr/>	<hr/>
<hr/>	<hr/>
<hr/>	<hr/>
<hr/>	<hr/>
<hr/>	<hr/>
<hr/>	<hr/>

RULES FOR SAFE RIDING AND RESPONSIBLE OPERATION: Carefully read this manual before operating the cycle.

- It is the responsibility of the person who completes the assembly to properly install all parts included and to inspect the cycle prior to riding to insure proper operation.
- Operator is responsible for required maintenance to keep the cycle in good operation condition.
- Observe all traffic regulations in the operating environment. (Stop signs, etc.)
- Keep to the right and in a straight line. Ride in single file.
- Do not ride outdoors at night, and have appropriate signaling device as needed. (We recommend the 3973 Mega Horn.)
- Give pedestrians the Right of Way
- Always look around you to understand the riding environment and hazards.
- Do not carry passengers.
- Check brakes prior to riding.
- Slow down when approaching turns or intersections. Tricycles are meant for slow pace rides, not for racing.
- Use proper hand signals when turning or stopping.
- Recommended safety options include, but are not limited to, an approved helmet, audible warning device, front/rear lights and/or reflectors.
- Never ride the cycle if there are known repairs required.
- Do not exceed the recommended weight capacity of the cycle. (500 lbs., including the rider.)
- Place loads evenly on platform. Do not stack cargo too high and always secure cargo with appropriate tie down straps.
- Wipe surface of cycle clean and dry when exposed to corrosive substances or environment.
- Operate cycle at slow speeds, particularly in high traffic areas.
- Operators of cycles should be in good physical condition. Ride at your own risk.
- Wear proper riding attire. Check shoelaces and pant legs prior to riding so they do not become engaged in the chain and sprocket.
- Ride only on smooth, paved surfaces. Do not use off road.
- Do not operate a tricycle on steep grades. They are designed for relatively level, paved surfaces only.
- Always replace worn parts with genuine Worksmen Cycle Repair Parts.
- Always keep both hands on the handlebars. Tricycles have a tendency to pull slightly to one side.

Worksmen Cycles Co. – PO Box 170732 – Ozone Park, NY 11417 – (718) 322-2000
www.worksmen.com

Worksmen Mover Tricycles are made in the USA using Imported & Domestic parts.